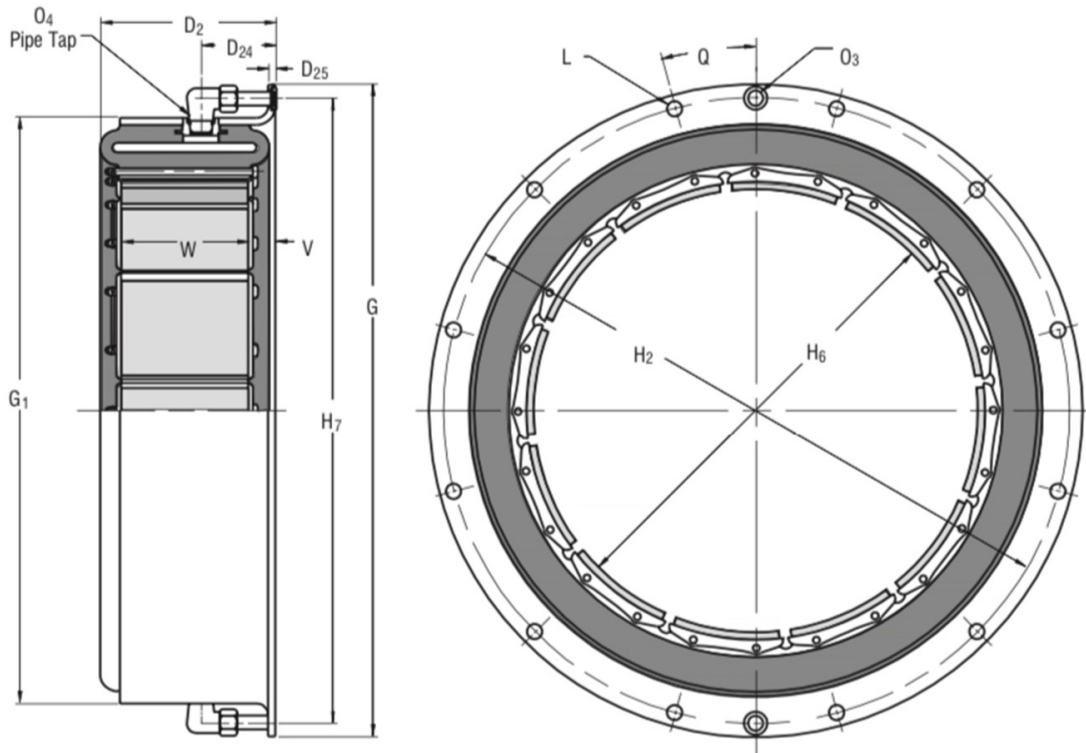


Airflex® Single CB Elements



Form CB-401

Dimensional Data – Sizes 3 to 14



English		lb in @ 75 psi	Dimensions in inches															
3CB150	142252	360	2.16	1.18	0.10	6.299	4.86	5.748	3.15	5.75	8	0.25	0.28	1/8-27	22.500	0.35	6	1.50
4CB200	142840	1000	2.63	1.38	0.09	7.248	5.81	6.688	4.13	6.69	8	0.25	0.19	1/8-27	22.500	0.38	6	2.00
5CB200	142253	1460	2.85	1.50	0.10	8.819	7.20	8.071	5.16	8.07	8	0.31	0.29	1/8-27	22.500	0.48	6	2.00
6CB200	142095	2040	2.94	1.56	0.09	10.752	9.06	10.000	6.16	10.00	8	0.38	0.31	3/8-18	22.500	0.56	6	2.00
8CB250	142096	4290	3.44	1.91	0.09	12.875	11.19	12.125	8.16	12.13	8	0.38	0.31	3/8-18	22.500	0.56	8	2.50
10CB300	142197	8150	4.13	2.00	0.19	15.373	13.63	14.625	10.13	14.63	12	0.38	0.31	3/8-18	15.000	0.69	10	3.00
12CB350	142098	13300	4.72	2.00	0.19	17.625	15.88	16.875	12.13	16.88	14	0.38	0.31	3/8-18	12.857	0.69	12	3.50
14CB400	142087	19700	5.22	2.00	0.19	19.625	17.88	18.875	14.13	18.88	16	0.38	0.31	3/8-18	11.250	0.69	14	4.00
Size	Part Number	M. Torque Rating	D ₂	D ₂₄	D ₂₅	G	G ₁	H ₂	H ₆	H ₇	No .Size		O ₃	O ₄	Q (Deg)	V	No Width	
											L (Bolt)						No	W
											No	.Size						
3CB150	142252	40,7	55	30	2	160,0	123	146,0	80	146	8	6	7	1/8-27	22,500	9	6	38
4CB200	142840	113	67	35	2	184,1	148	169,9	105	170	8	6	5	1/8-27	22,500	10	6	51
5CB200	142253	165	72	38	2	224,0	183	205,0	131	205	8	8	7	1/8-27	22,500	12	6	51
6CB200	142095	231	75	40	2	273,1	230	254,0	156	254	8	10	8	3/8-18	22,500	14	6	51
8CB250	142096	485	87	48	2	327,0	284	308,0	207	308	8	10	8	3/8-18	22,500	14	8	64
10CB300	142197	921	105	51	5	390,5	346	371,5	257	371	12	10	8	3/8-18	15,000	17	10	76
12CB350	142098	1500	120	51	5	447,7	403	428,6	308	429	14	10	8	3/8-18	12,857	17	12	89
14CB400	142087	2230	133	51	5	498,5	454	479,4	359	479	16	10	8	3/8-18	11,250	17	14	102
SI		Nm @ 5,2 bar	Dimensions in millimeters															